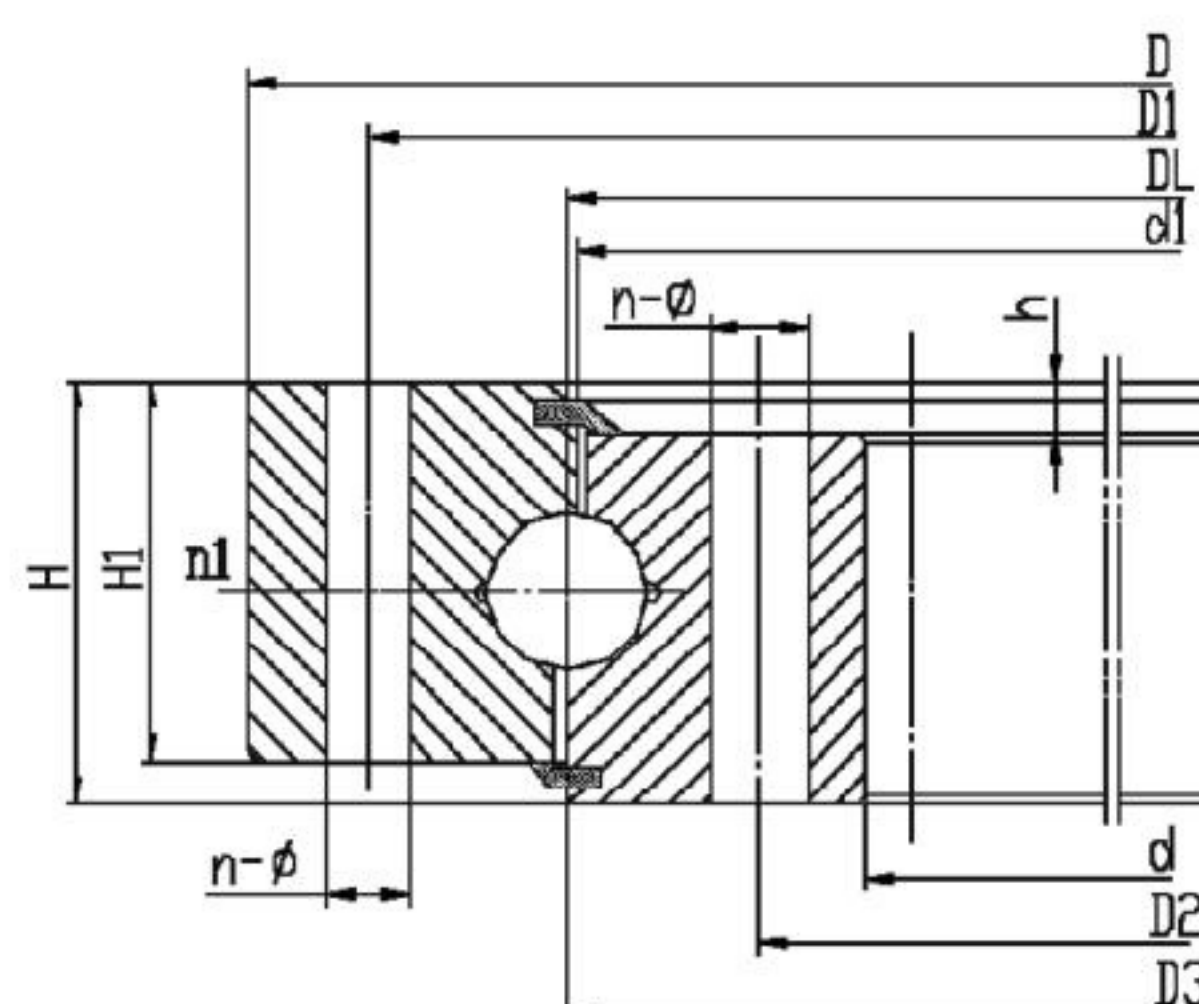


# Toothless Single Row Four Point Contact Ball Slewing Bearings



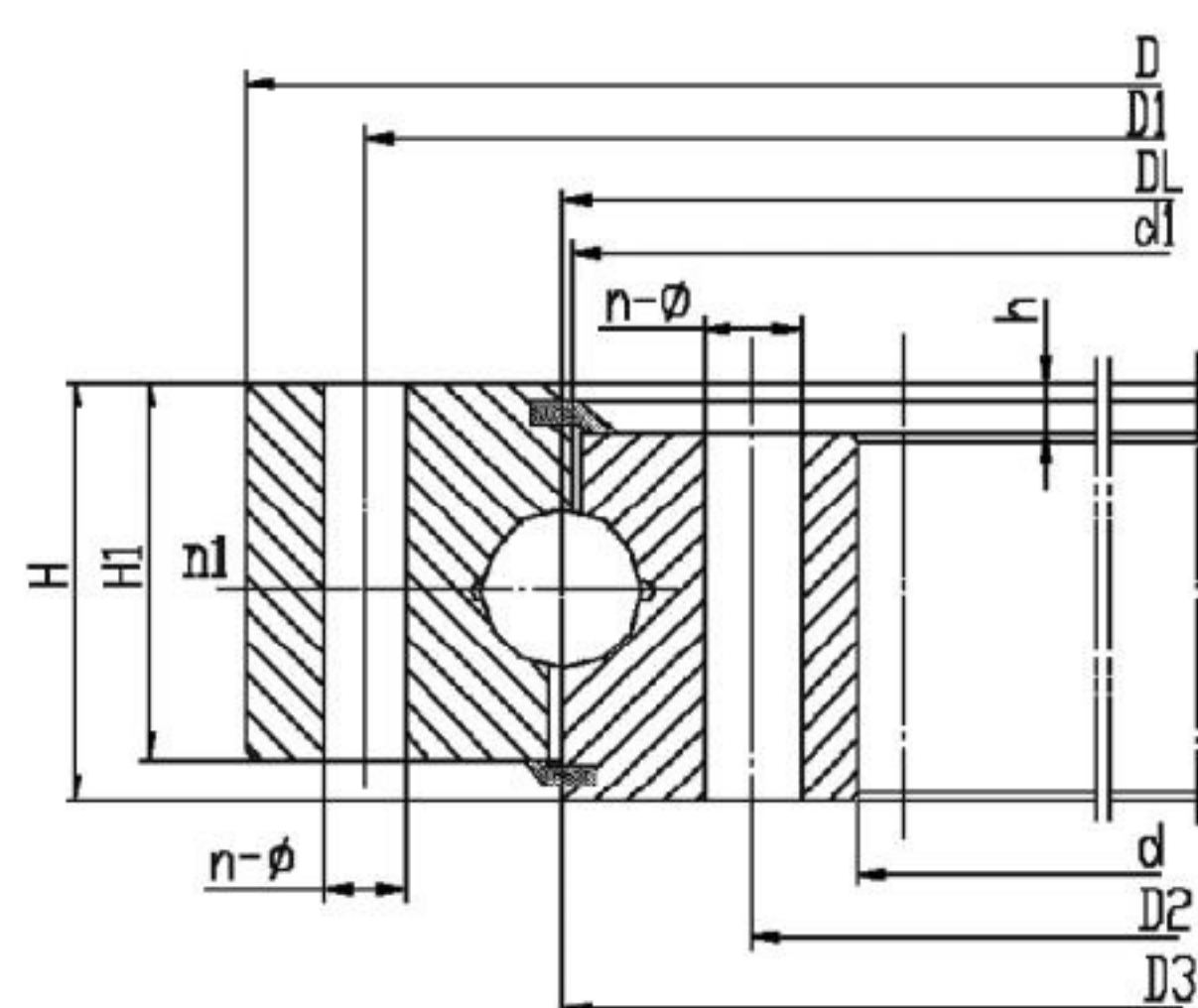
NOTE:

1. n1 is the number of lubricating oil holes, the customer can specify the location of oil holes according to the use situation.
2. n-φ can be changed into thread hole, thread diameter M, thread depth 2M.
3. The specifications in this sample are standard products, please contact SINOFOUV for any other special requirements.

Bearing Part Number	Boundary Dimensions			Mounting Hole Dimensions				Configuration Dimensions						Weight kg
	D	d	H	D1	D2	n	φ	D3	d1	H1	h	n1	M	
	mm			mm			mm						mm	
HSB300	360	240	38	340	260	12	9	298	302	31	7	3	8	12.5
HSB344	420	266	55	390	294	8	18	343	345	45	10	12	16	25.7
HSB345	410	285	40	385	305	12	11	344	346	35	5	1	10	16.8
HSB411	496	338	55	460	364	12	18.5	412	410	45	10	2	16	33.4
HSB413	485.521	342.9	55.88	457.2	368.3	12	14	410.5	457.2	44.45	11.43	0	11	28.9
HSB414	496	338	55	460	364	12	18.5	412	410	45	10	2	16	33.5
HSB441	520.344	355.6	50.8	492.125	387.35	12	14.275	438.65	444	50.8	0	0	13	40.1
HSB445	558	332	72	514	377	20	22	446	444	63	9	3	30	67
HSB489	562	396	60	538	440	24	13.5	487.5	491	50	10	4	12	44.9
HSB500	600	398	80	566	434	20	18	499	501	70	10	4	16	78.2
HSB500X1	600	398	70	566	434	20	18	499	501	70	10	4	16	80.1
HSB530	590	460	40	570	488	12	9	527	533	40	0	0	8	30.4
HSB530A	590	460	40	570	488	12	9	527	533	40	0	0	8	30.8
HSB560	662	458	80	626	494	20	18	561	558	70	10	4	16	87.5
HSB592	670	517	55	640	544	12	18	590	594	46	9	4	16	47
HSB630	732	528	80	696	564	24	18	631	628	70	10	4	16	97.7
HSB710	812	608	80	776	644	24	18	708	711	70	10	4	16	116
HSB710X1	812	608	80	776	644	24	18	720	699	70	10	4	16	119
HSB710XA	812	608	80	776	644	24	18	708	711	70	10	2	16	118
HSB724	819.15	628.65	50	781.05	666.75	18	14.275	722	726	50.8	0	0	13	78
HSB741	857	635	56	820	662	16	18	739	743	45.5	10.5	1	16	86
HSB800	922	678	100	878	722	30	22	801	798	90	10	6	20	200
HSB844	916	775	56	890	789	20	13.5	838	850	46	10	4	12	56.5
HSB844X1	916	772	56	890	798	40	14.7	842	846	44.5	11.5	0	12	58
HSB844K	916	775	56	890	798	20	13	842	846	46	10	4	12	60.8
HSB872.5	1060	670	189	1000	744	20	33	859.5	885.5	154	10	6	30	575
HSB900	1022	778	100	978	822	30	22	901	898	90	10	6	20	225



# Toothless Single Row Four Point Contact Ball Slewing Bearings



NOTE:

1. n1 is the number of lubricating oil holes, the customer can specify the location of oil holes according to the use situation.
2. n-φ can be changed into thread hole, thread diameter M, thread depth 2M.
3. The specifications in this sample are standard products, please contact SINOFOUV for any other special requirements.

Bearing Part Number	Boundary Dimensions			Mounting Hole Dimensions				Configuration Dimensions						Weight kg
	D	d	H	D1	D2	n	φ	D3	d1	H1	h	n1	M	
	mm			mm			mm						mm	
HSB980	1090	870	86	1050	910	44	22	978	982	72	14	4	20	163
HSB1000	1138	878	100	1078	922	36	22	998	1138	90	10	6	20	270
HSB1016	1117.6	914.4	50.8	1079.5	955.675	24	17.457	1014	1018	50.8	0	0	11	116
HSB1078	1244	881	160	1180	945	24	26	1130	1080	105	10	4	24	577
HSB1094	1166	1022	56	1140	1048	48	14	1092.5	1095.5	44.5	11.5	4	12	78.2
HSB1120	1242	998	100	1198	1042	36	22	1121	1118	90	10	6	20	271
HSB1250	1390	1110	110	1337	1163	40	26	1252	1248	100	10	5	24	399
HSB1270	1395.4	1144.45	88.9	1352.55	1187.45	30	17.475	1268	1272	79.25	9.65	0	11	282
HSB1400	1540	1260	110	1487	1313	40	26	1398	1402	100	10	5	24	423
HSB1542	1660	1430	80	1620	1467	24	18	1538	1546	80	0	3	16	311
HSB1600	1740	1460	110	1687	1513	45	26	1602	1598	100	10	5	24	507
HSB1775	1927	1628	130	1875	1680	36	26	1807	1775	115	15	6	24	708
HSB1800	1940	1660	110	1887	1713	45	26	1798	1802	100	10	5	24	514
HSB1800X1	1940	1660	110	1887	1713	40	26	1790	1810	100	10	4	24	547
HSB2000	2178	1825	144	2110	1891	48	33	2040	1958	114	12	8	30	1012
HSB2021	2230	1805	165	2160	1880	36	33	2026	2016	150	15	4	30	1440
HSB2030	2230	1805	165	2160	1880	36	33	2035	2023	150	15	4	30	1440
HSB2135	2310	1905	180	2240	2030	36	23	2141	2131	160	20	4	20	1580
HSB2185	2360	1955	180	2290	2080	36	23	2190	2180	160	20	4	20	1620
HSB2220	2343.15	2095.5	87.725	2289.175	2133.6	52	17.463	2219.2	2218.3	73.152	14.573	0	11	442
HSB2240	2418	2065	144	2350	2131	48	33	2242	2238	132	12	4	30	1130
HSB2500	2678	2325	144	2610	2391	56	33	2498	2502	132	12	8	30	1270
HSB2645	2820	2474	225	2750	2540	60	32	2647	2643	160	65	12	30	1620
HSB2800	2978	2625	144	2910	2691	56	33	2802	2798	132	12	8	30	1484
HSB2944	3136	2751	135	3064	2823	60	33	2942	2946	125	28	6	30	1470
HSB3144	3271.825	3017.2	85.725	3213.1	3067.05	60	17.463	3141.5	3143.25	76.2	15.875	0	11	663
HSB3455	3600	3300	191	3560	3340	40	22	3455	3500	142	19	49	20	1740